

Bins Options Specifications

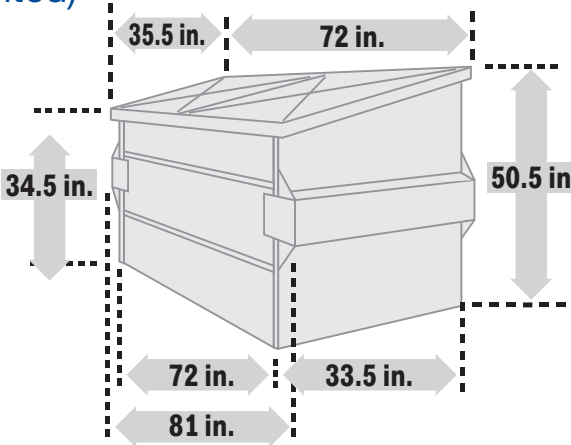
We offer 2, 3, 4, and 6-yard dumpsters to accommodate a variety of needs. All material from these bins is taken to the Recycling Center and Transfer Station in Pittsburg for sorting and recycling. Please call 925.682.9113 for pricing.

Bin Size	Overall Height	Overall Width	Overall Depth
2 Yard (Slanted)	50.5"	81"	35.5"
2 Yard (Flat)	34.5"	81"	37.5"
3 Yard (Slanted)	50.5"	81"	43"
3 Yard (Flat)	41.5"	81"	44.5"
4 Yard (Slanted)	57"	81"	53.5"
4 Yard (Flat)	46"	81"	53.5"
6 Yard (Slanted)	72"	81"	66"

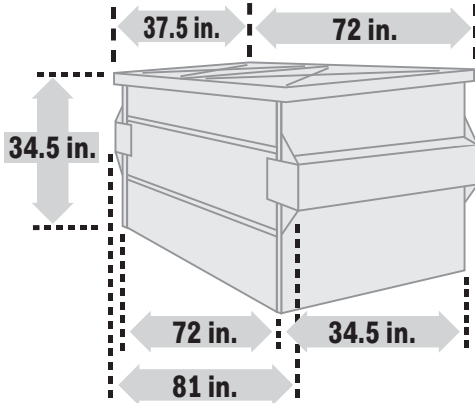
**Wheels will add 8 inches to any bin's overall height.*

2 Yard Bin ▼

(Slanted)

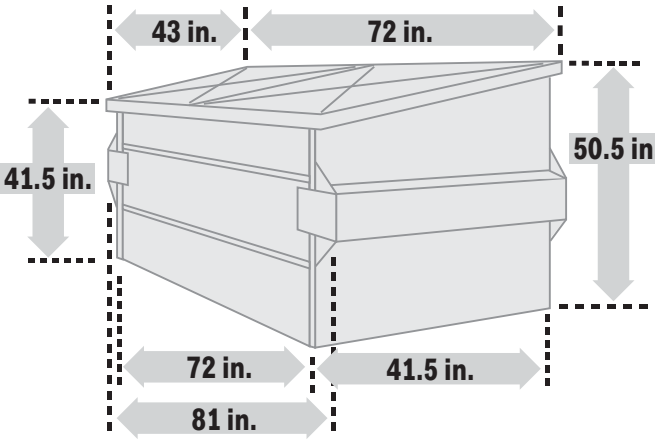


(Flat)

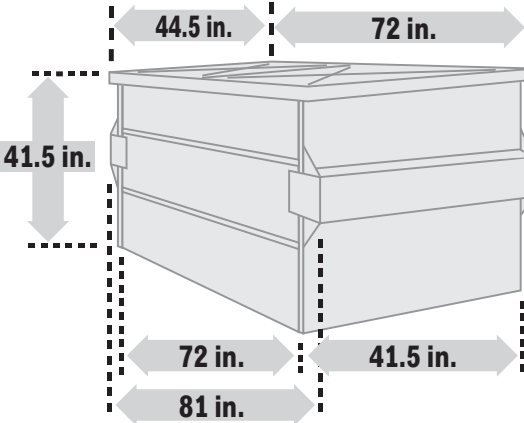


3 Yard Bin ▼

(Slanted)

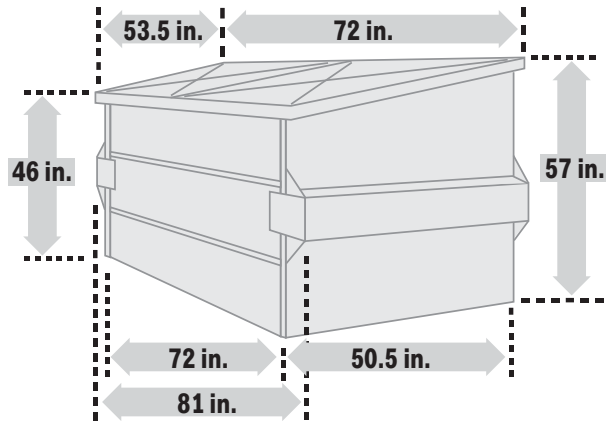


(Flat)

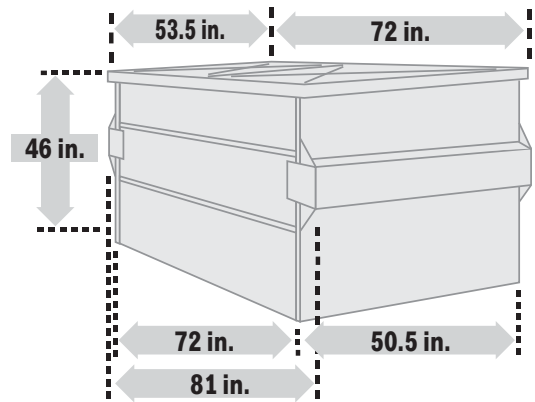


4 Yard Bin

(Slanted)

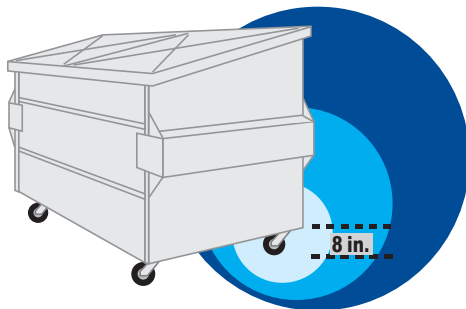
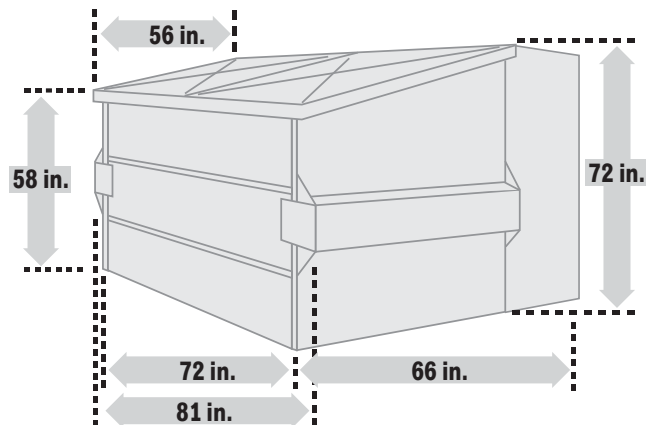


(Flat)



6 Yard Bin

(Slanted)










Ask Us About Wheels!

Wheels can provide greater mobility for those with flexible needs. Please keep in mind that wheels add 8 inches to the overall height of any bin, and bins should be in their designated collection areas no later than 5am on specified pick-up service days.

Note: Not available for 6 Yard Bins.

General Bin Tips.

-  Bins & carts need to be accessible and ready for pick-up on the service day.
-  Garbage should not be loaded over the top of a cart/bin. The lid should be closed completely when the cart is loaded.
-  Large and bulky items should not be placed in your cart/bin. Please call our office to arrange a pick-up and find applicable fees.
-  No dirt, concrete or building material in the carts or bins.
-  Access to bin and enclosures must be clear of debris and vehicles. There is an additional charge for return pick-ups.
-  No Hazardous Waste in the cart/bin. Please visit mdresrec.com for information.
-  Locking devices are provided upon request. There is an additional charge for this service.